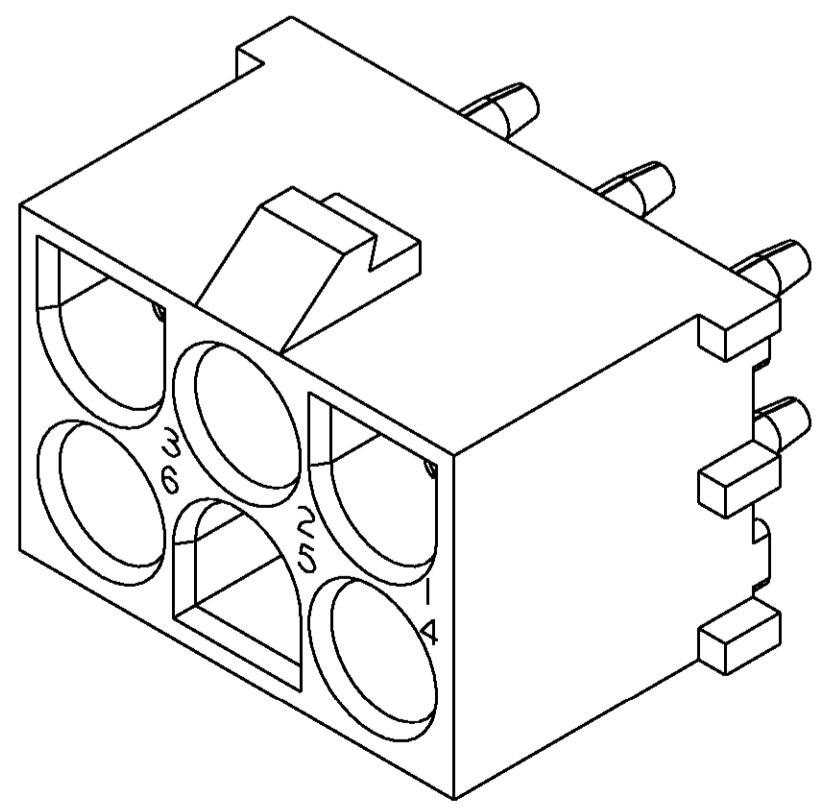
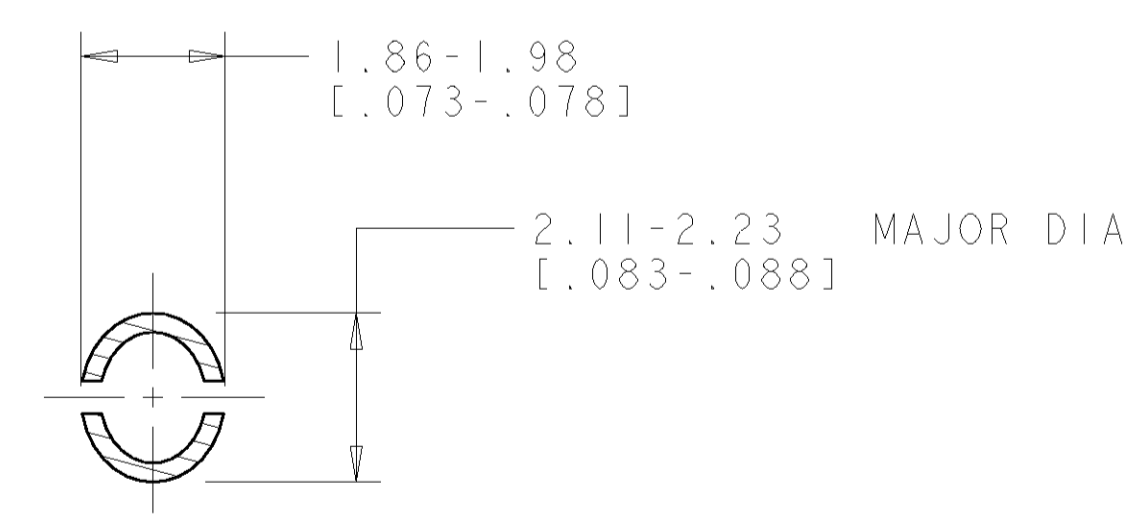
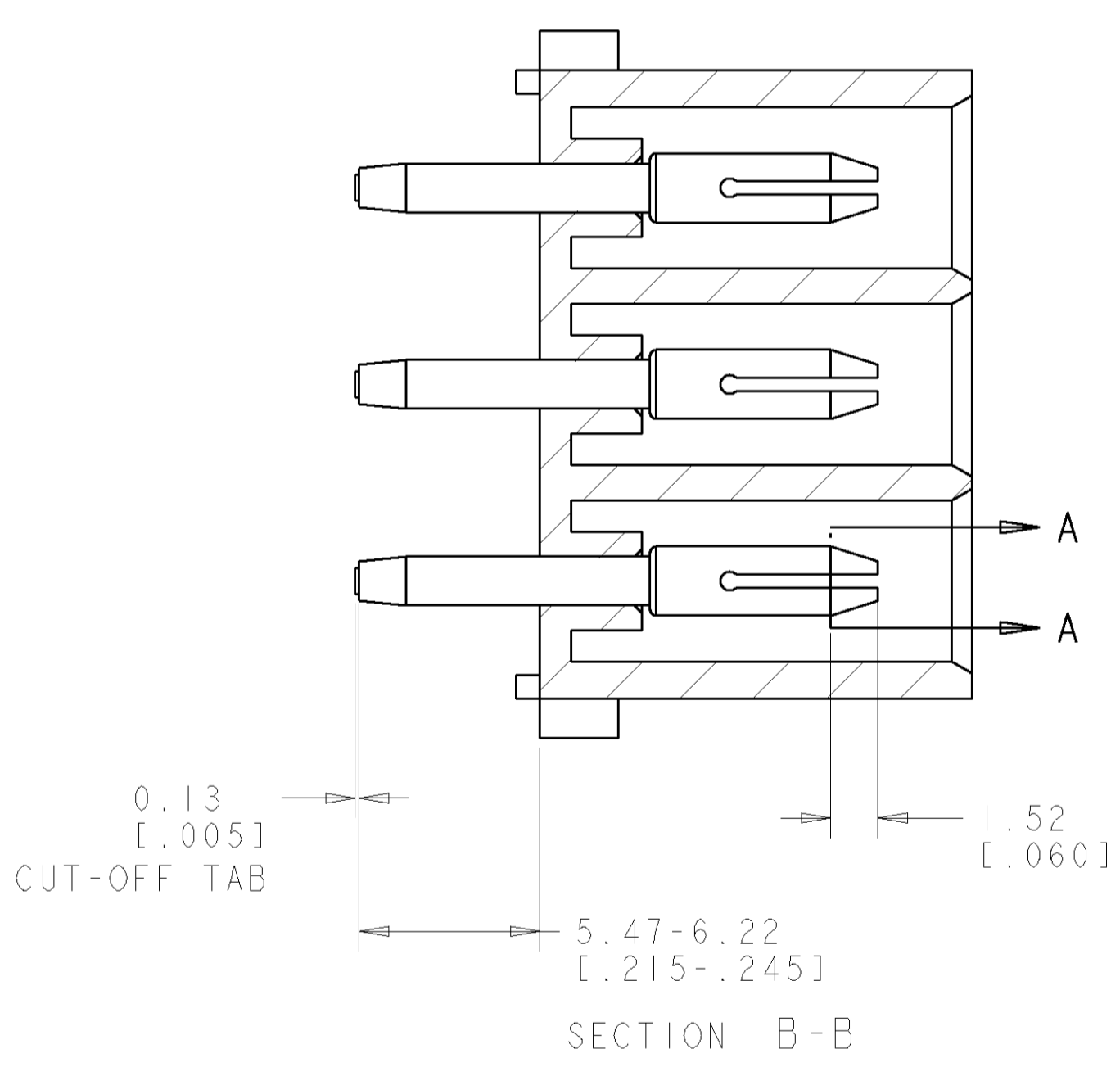
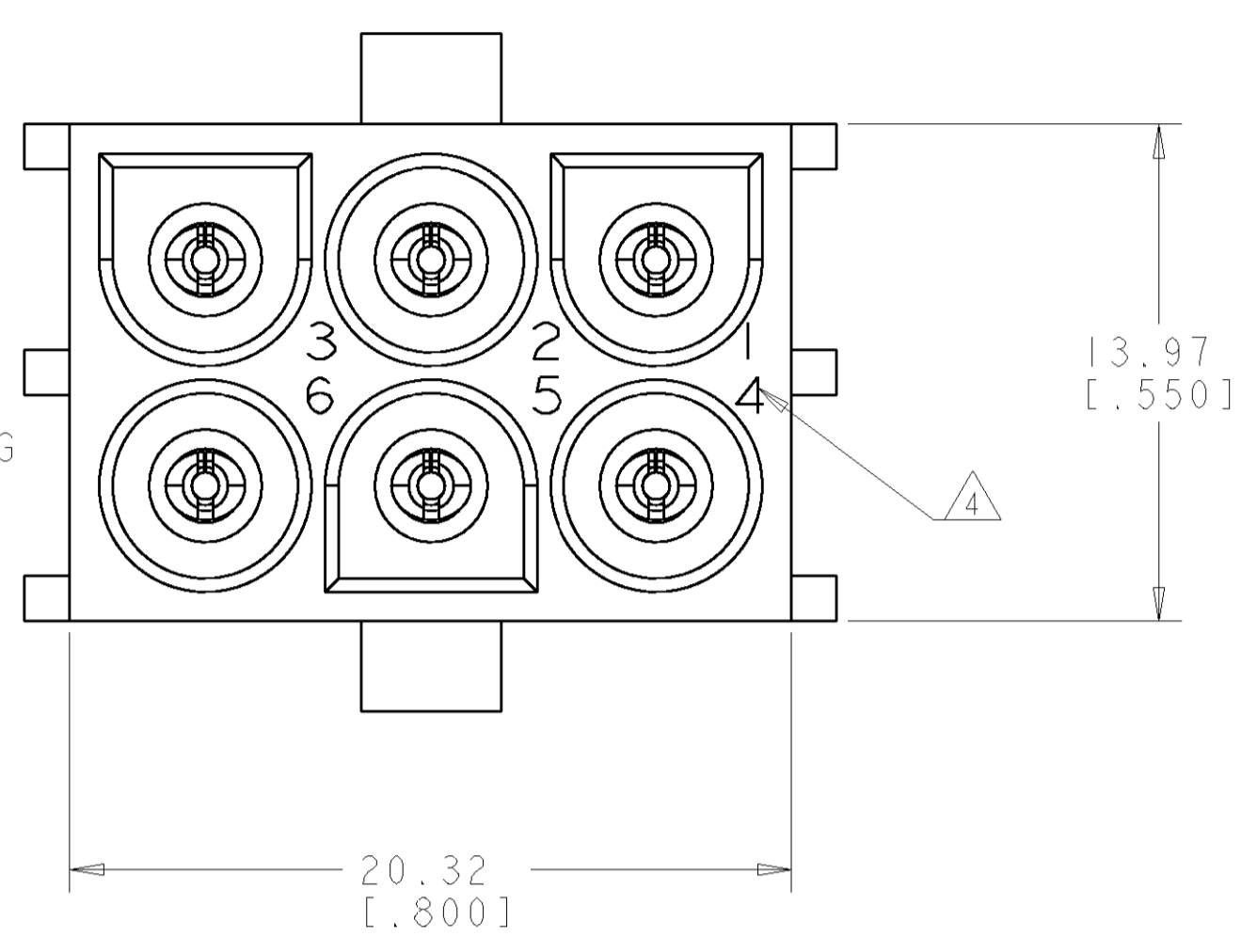
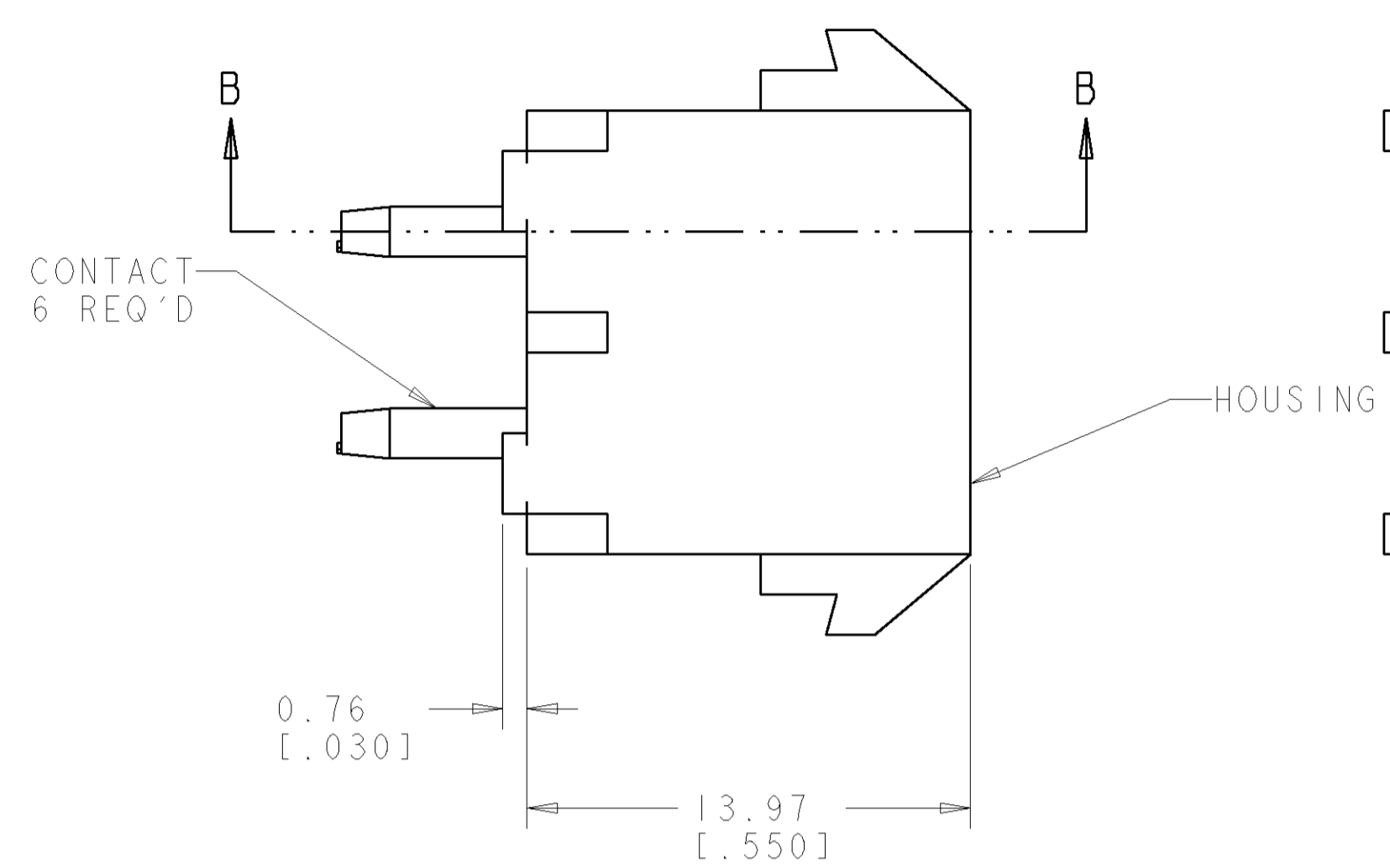
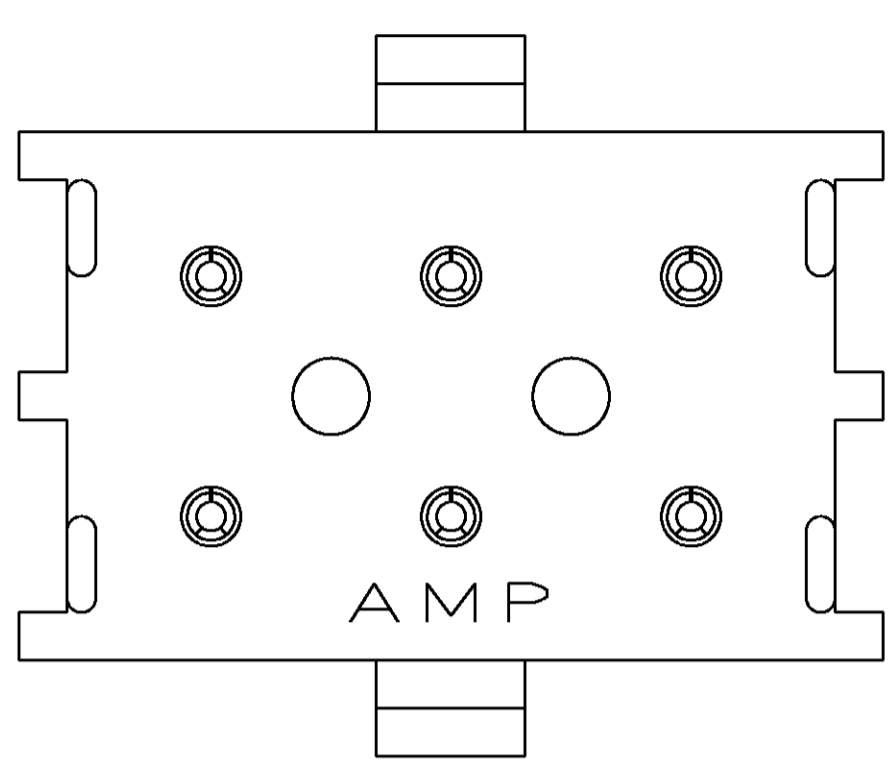
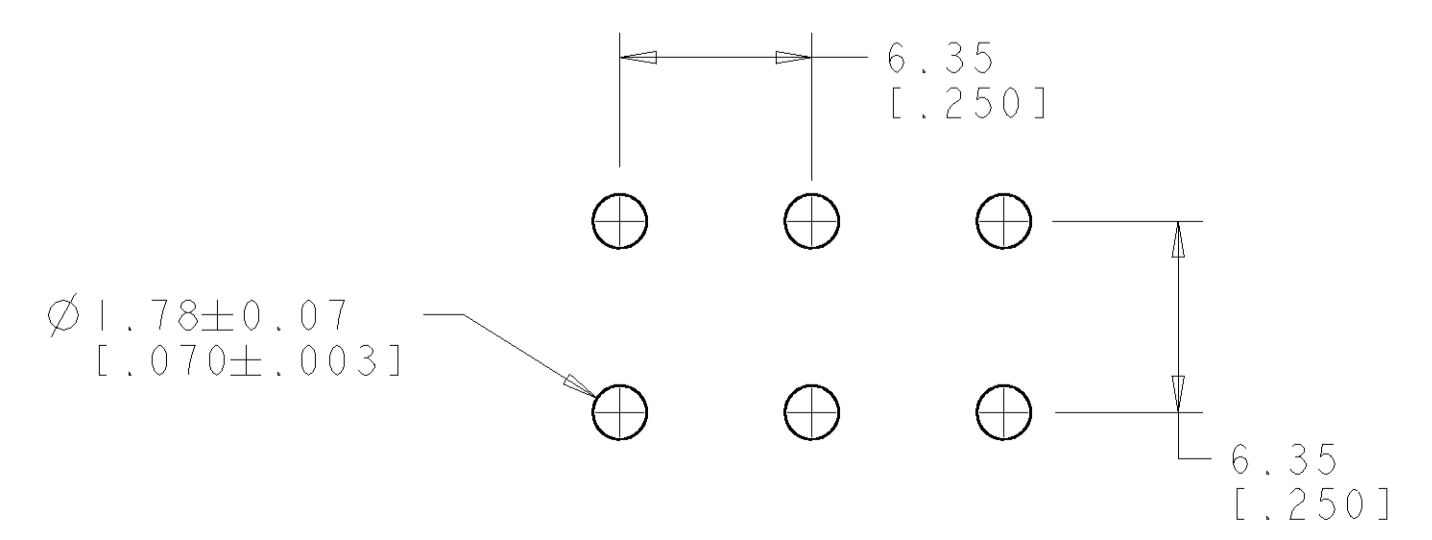


LOC	DIST	REV	DATE	DWN	APPR
CM	00	E	20-MAR-02	KW	SR
		REVISIONS			
		DESCRIPTION			
		DATE			
		DWN			
		APPR			

- PARTS MATE WITH HOUSING 480704.
- PARTS COMPLY TO AMP SOLDERABILITY SPECIFICATION 109-111-3.
- PARTS MOLDED WITHOUT DRAIN HOLES.
- CIRCUIT IDENTIFICATION CHARACTERS ARE ADJACENT TO THE INDICATED CAVITIES, BUT LOCATION AND ORIENTATION MAY DIFFER FROM PRINT.
- DIMENSIONS IN BRACKETS ARE IN INCHES.



3 DIMENSIONAL MODEL
SCALE 4:1



RECOMMENDED MOUNTING HOLE PATTERN
FOR 3.17 [.125] THICK P.C. BOARD

PHOSPOR BRONZE, PRE-TIN PIN CONTACT MATERIAL AND FINISH	NYLON, UL94V-2, NATURAL HOUSING MATERIAL AND COLOR	643749-1 PART NUMBER																																																											
<table border="1"> <tr> <td>DIMENSIONS: mm [INCHES]</td> <td>TOLERANCES UNLESS OTHERWISE SPECIFIED:</td> <td>DRAWN R. WHITAKER</td> <td>DATE 20-MAR-2002</td> <td rowspan="2"> Tyco Electronics Harrisburg, PA 17105-3608 </td> </tr> <tr> <td> <table border="1"> <tr> <td>0 PLC</td> <td>±</td> <td></td> <td></td> </tr> <tr> <td>1 PLC</td> <td>±</td> <td>±0.13(.005)</td> <td></td> </tr> <tr> <td>2 PLC</td> <td>±</td> <td></td> <td></td> </tr> <tr> <td>3 PLC</td> <td>±</td> <td></td> <td></td> </tr> <tr> <td>4 PLC</td> <td>±</td> <td></td> <td></td> </tr> <tr> <td>ANGLES</td> <td>±</td> <td>±0°30'</td> <td></td> </tr> </table> </td> <td> <table border="1"> <tr> <td>ENR</td> <td>20-MAR-2002</td> <td>NAME</td> <td></td> </tr> <tr> <td>APPR</td> <td>20-MAR-2002</td> <td>PRODUCT SPEC</td> <td></td> </tr> <tr> <td>CHK</td> <td>S. RIDGILL</td> <td>APPLICATION SPEC</td> <td></td> </tr> <tr> <td>DATE</td> <td>20-MAR-2002</td> <td>WEIGHT</td> <td></td> </tr> </table> </td> </tr> <tr> <td>MATERIAL SEE TABLE</td> <td>FINISH SEE TABLE</td> <td>SIZE</td> <td>CAGE CODE</td> <td>DRAWING NO.</td> <td>RESTRICTED TO</td> </tr> <tr> <td></td> <td></td> <td>A1</td> <td>00779</td> <td>643749</td> <td></td> </tr> </table>			DIMENSIONS: mm [INCHES]	TOLERANCES UNLESS OTHERWISE SPECIFIED:	DRAWN R. WHITAKER	DATE 20-MAR-2002	Tyco Electronics Harrisburg, PA 17105-3608	<table border="1"> <tr> <td>0 PLC</td> <td>±</td> <td></td> <td></td> </tr> <tr> <td>1 PLC</td> <td>±</td> <td>±0.13(.005)</td> <td></td> </tr> <tr> <td>2 PLC</td> <td>±</td> <td></td> <td></td> </tr> <tr> <td>3 PLC</td> <td>±</td> <td></td> <td></td> </tr> <tr> <td>4 PLC</td> <td>±</td> <td></td> <td></td> </tr> <tr> <td>ANGLES</td> <td>±</td> <td>±0°30'</td> <td></td> </tr> </table>	0 PLC	±			1 PLC	±	±0.13(.005)		2 PLC	±			3 PLC	±			4 PLC	±			ANGLES	±	±0°30'		<table border="1"> <tr> <td>ENR</td> <td>20-MAR-2002</td> <td>NAME</td> <td></td> </tr> <tr> <td>APPR</td> <td>20-MAR-2002</td> <td>PRODUCT SPEC</td> <td></td> </tr> <tr> <td>CHK</td> <td>S. RIDGILL</td> <td>APPLICATION SPEC</td> <td></td> </tr> <tr> <td>DATE</td> <td>20-MAR-2002</td> <td>WEIGHT</td> <td></td> </tr> </table>	ENR	20-MAR-2002	NAME		APPR	20-MAR-2002	PRODUCT SPEC		CHK	S. RIDGILL	APPLICATION SPEC		DATE	20-MAR-2002	WEIGHT		MATERIAL SEE TABLE	FINISH SEE TABLE	SIZE	CAGE CODE	DRAWING NO.	RESTRICTED TO			A1	00779	643749	
DIMENSIONS: mm [INCHES]	TOLERANCES UNLESS OTHERWISE SPECIFIED:	DRAWN R. WHITAKER	DATE 20-MAR-2002	Tyco Electronics Harrisburg, PA 17105-3608																																																									
<table border="1"> <tr> <td>0 PLC</td> <td>±</td> <td></td> <td></td> </tr> <tr> <td>1 PLC</td> <td>±</td> <td>±0.13(.005)</td> <td></td> </tr> <tr> <td>2 PLC</td> <td>±</td> <td></td> <td></td> </tr> <tr> <td>3 PLC</td> <td>±</td> <td></td> <td></td> </tr> <tr> <td>4 PLC</td> <td>±</td> <td></td> <td></td> </tr> <tr> <td>ANGLES</td> <td>±</td> <td>±0°30'</td> <td></td> </tr> </table>	0 PLC	±				1 PLC	±	±0.13(.005)		2 PLC	±			3 PLC	±			4 PLC	±			ANGLES	±	±0°30'		<table border="1"> <tr> <td>ENR</td> <td>20-MAR-2002</td> <td>NAME</td> <td></td> </tr> <tr> <td>APPR</td> <td>20-MAR-2002</td> <td>PRODUCT SPEC</td> <td></td> </tr> <tr> <td>CHK</td> <td>S. RIDGILL</td> <td>APPLICATION SPEC</td> <td></td> </tr> <tr> <td>DATE</td> <td>20-MAR-2002</td> <td>WEIGHT</td> <td></td> </tr> </table>	ENR	20-MAR-2002	NAME		APPR	20-MAR-2002	PRODUCT SPEC		CHK	S. RIDGILL	APPLICATION SPEC		DATE	20-MAR-2002	WEIGHT																				
0 PLC	±																																																												
1 PLC	±	±0.13(.005)																																																											
2 PLC	±																																																												
3 PLC	±																																																												
4 PLC	±																																																												
ANGLES	±	±0°30'																																																											
ENR	20-MAR-2002	NAME																																																											
APPR	20-MAR-2002	PRODUCT SPEC																																																											
CHK	S. RIDGILL	APPLICATION SPEC																																																											
DATE	20-MAR-2002	WEIGHT																																																											
MATERIAL SEE TABLE	FINISH SEE TABLE	SIZE	CAGE CODE	DRAWING NO.	RESTRICTED TO																																																								
		A1	00779	643749																																																									
CUSTOMER DRAWING																																																													
SCALE 5:1 SHEET 1 OF 1 REV E																																																													

